



STATE OF NORTH CAROLINA  
DEPARTMENT OF TRANSPORTATION

PAT MCCRORY  
GOVERNOR

ANTHONY J. TATA  
SECRETARY

March 22, 2013

CONTRACT NO.: DB00116  
WBS ELEMENTS: 17BP.2.R.12, 17BP.2.R.13, 17BP.2.R.15  
COUNTY: Beaufort  
ROUTES: SR 1002 (Bay City Rd.), SR 1718 (Sidney Rd.), SR 1530 (Baseline Rd.)  
DESCRIPTION: Bridge-to-Pipe Replacements of Bridges #35, #124, #241  
**ADDENDUM NUMBER 1**

TO: Prospective Bidders

Please note the following revision to the contract proposal for the above-referenced project.

- Replace **Plan Sheet 2** of all three projects with the revised sheets attached. This provides additional information regarding proposed headwall dimensions.

If you should have any questions concerning this addendum, please call me at (252) 439-2807.

Sincerely,

A handwritten signature in cursive script, appearing to read "Bullard".

Aaron Bullard, PE  
Division Contract Officer

Attachments

cc: Mr. Ed Eatmon, PE  
Mr. Bill Kincannon, PE  
Ms. Maria Rogerson, PE

MAILING ADDRESS:  
DIVISION TWO - OPERATIONS  
P.O. Box 1587  
GREENVILLE, NC 27835

TELEPHONE: (252) 439-2800  
FAX: (252) 830-3341  
WEBSITE: WWW.NCDOT.GOV

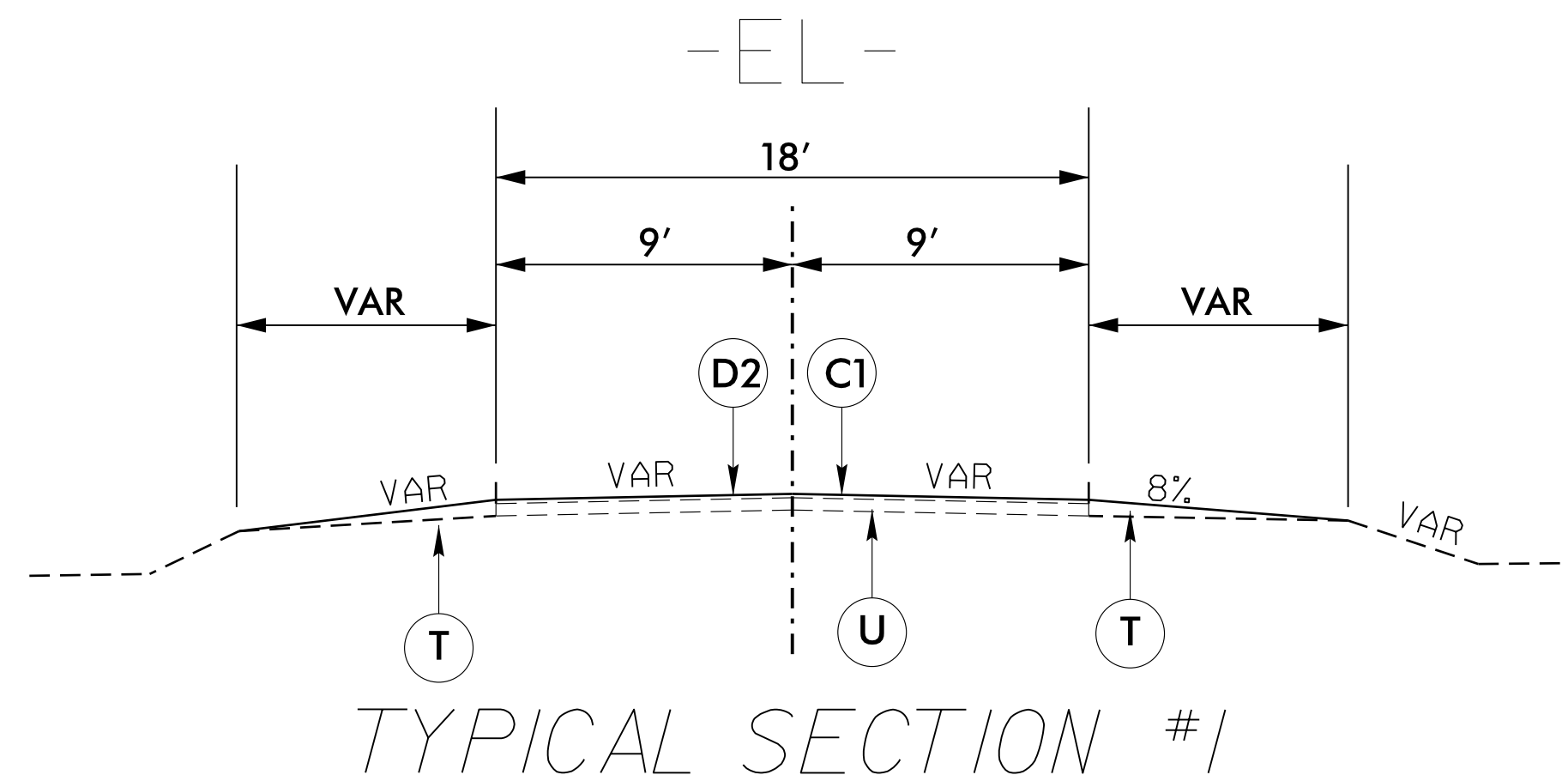
LOCATION:  
1704 N GREENE ST  
GREENVILLE, NC

PROJECT REFERENCE NO. 17BP.2.R.12	SHEET NO. 2
ROADWAY DESIGN ENGINEER THIS DOCUMENT ORIGINALLY ISSUED AND SEALED BY DWAYNE H. ALLIGOOD 16710 01/16/13	PAVEMENT DESIGN ENGINEER THIS DOCUMENT ORIGINALLY ISSUED AND SEALED BY DWAYNE H. ALLIGOOD 16710 01/16/13

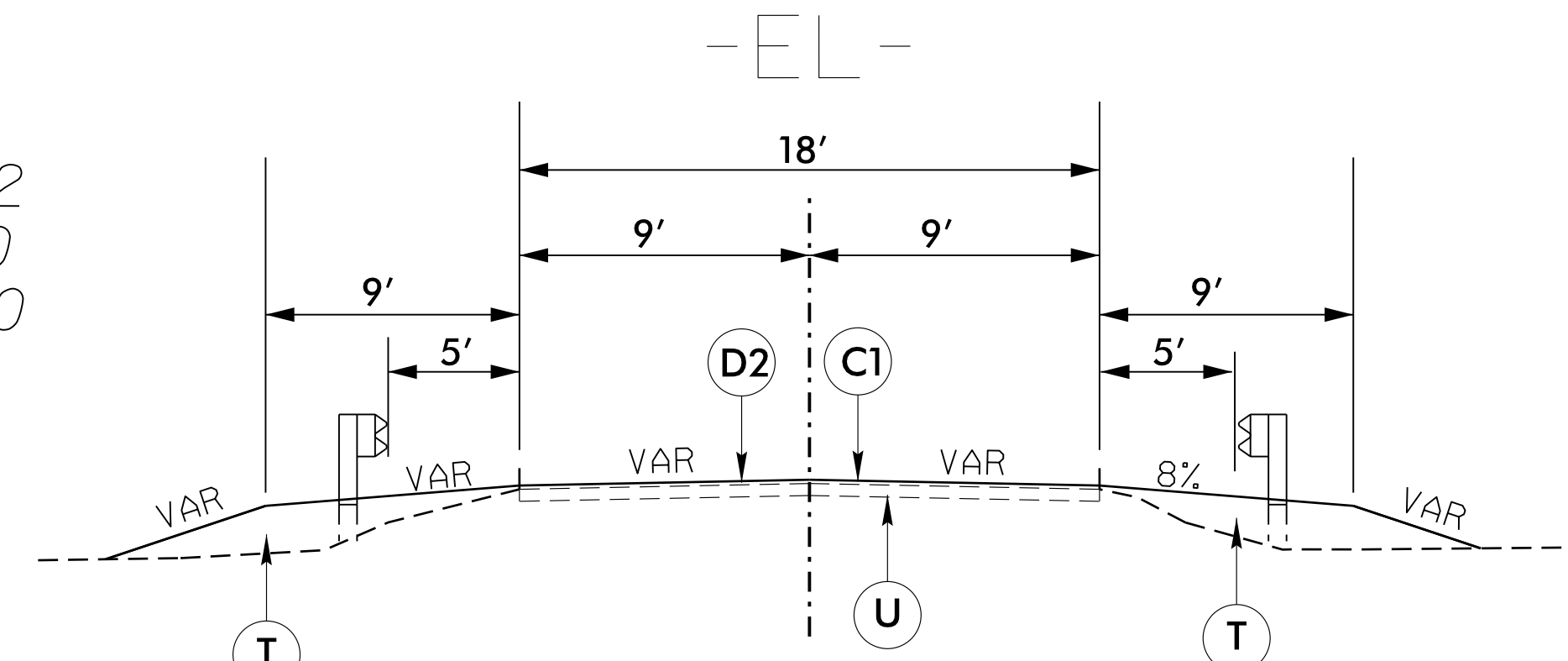
NOTE: REVISED END VIEW BOX CULVERT TO INCLUDE HEADWALL AND DIMENSIONS.

C1	PROP. APPROX. 1½" ASPHALT CONCRETE SURFACE COURSE, TYPE SF9.5B, AT AN AVERAGE RATE OF 168 LBS. PER SQ.YD.
D1	PROP. APPROX. 3" ASPHALT CONCRETE INTERMEDIATE COURSE, TYPE I19.0B, AT AN AVERAGE RATE OF 342 LBS. PER SQ. YD.
D2	PROP. VARIABLE DEPTH WEDGING ASPHALT CONCRETE INTERMEDIATE COURSE, TYPE I19.0B.
E1	PROP. APPROX. 5" ASPHALT CONCRETE BASE COURSE, TYPE B25.0B, AT AN AVERAGE RATE OF 570 LBS. PER SQ. YD.
J	APPROX. 12" AGGREGATE BASE COURSE
T	EARTH MATERIAL.
U	EXISTING PAVEMENT.
V	FILTER FABRIC
Y	#57 WASHED STONE

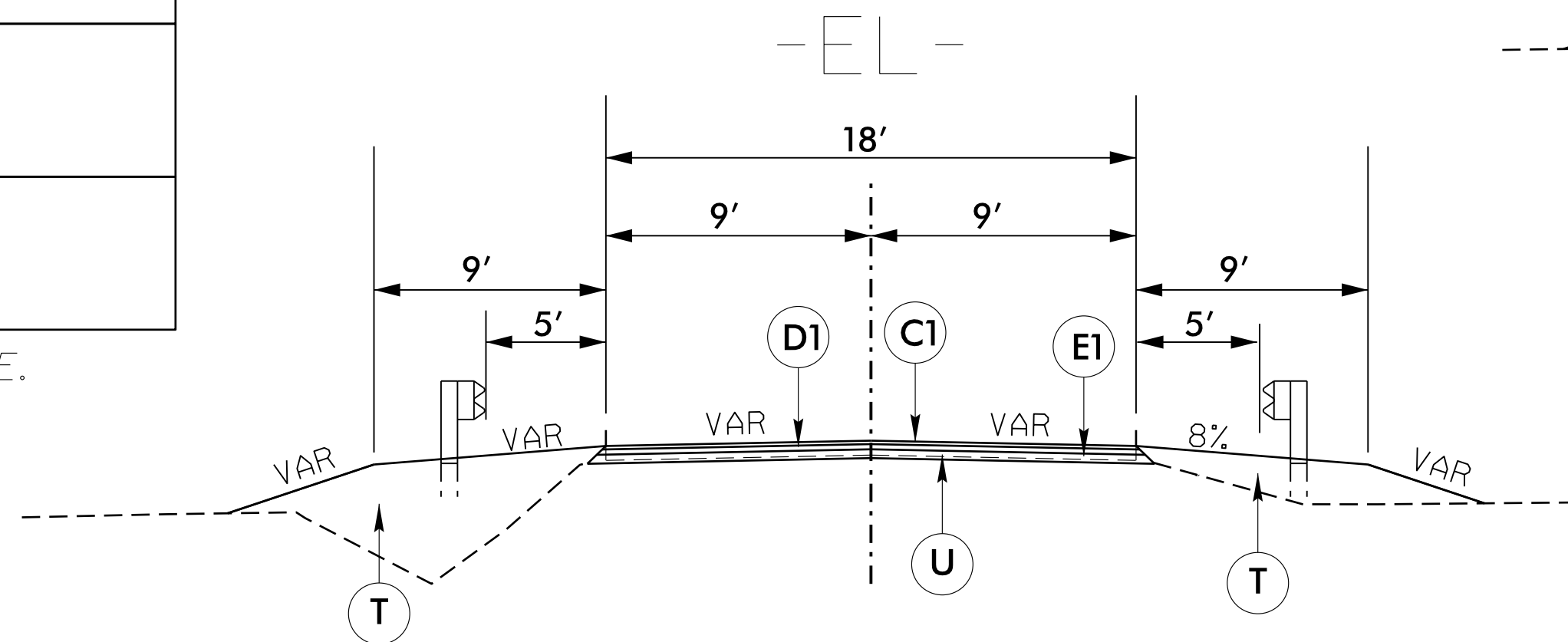
NOTE: PAVEMENT EDGE SLOPES ARE 1:1 UNLESS SHOWN OTHERWISE.



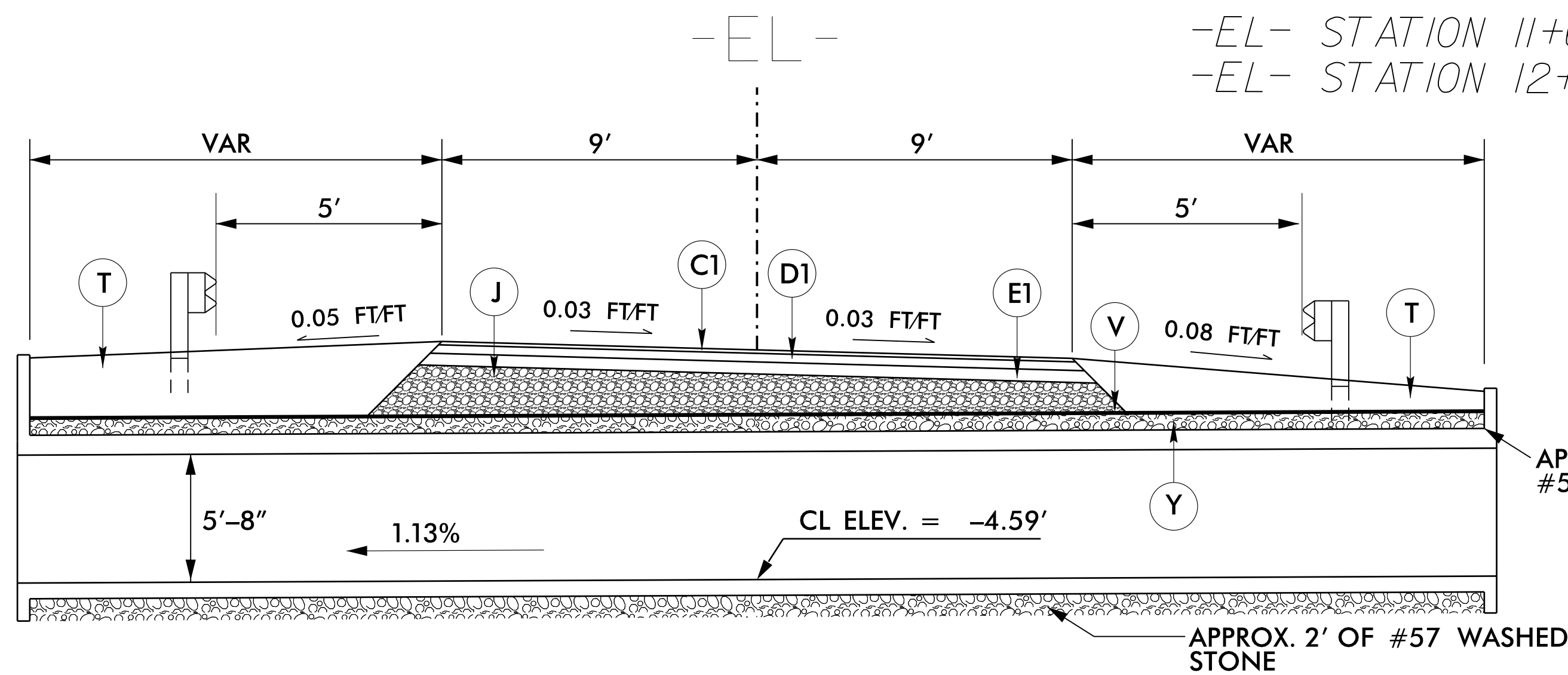
TRANSITION FROM TYPICAL SECTION #1 TO TYPICAL SECTION #2  
 -EL- STATION 10+75.00 - 11+15.00  
 -EL- STATION 13+10.00 - 13+50.00



-EL- STATION 11+15.00 - 11+67.00  
 -EL- STATION 12+58.00 - 13+10.00

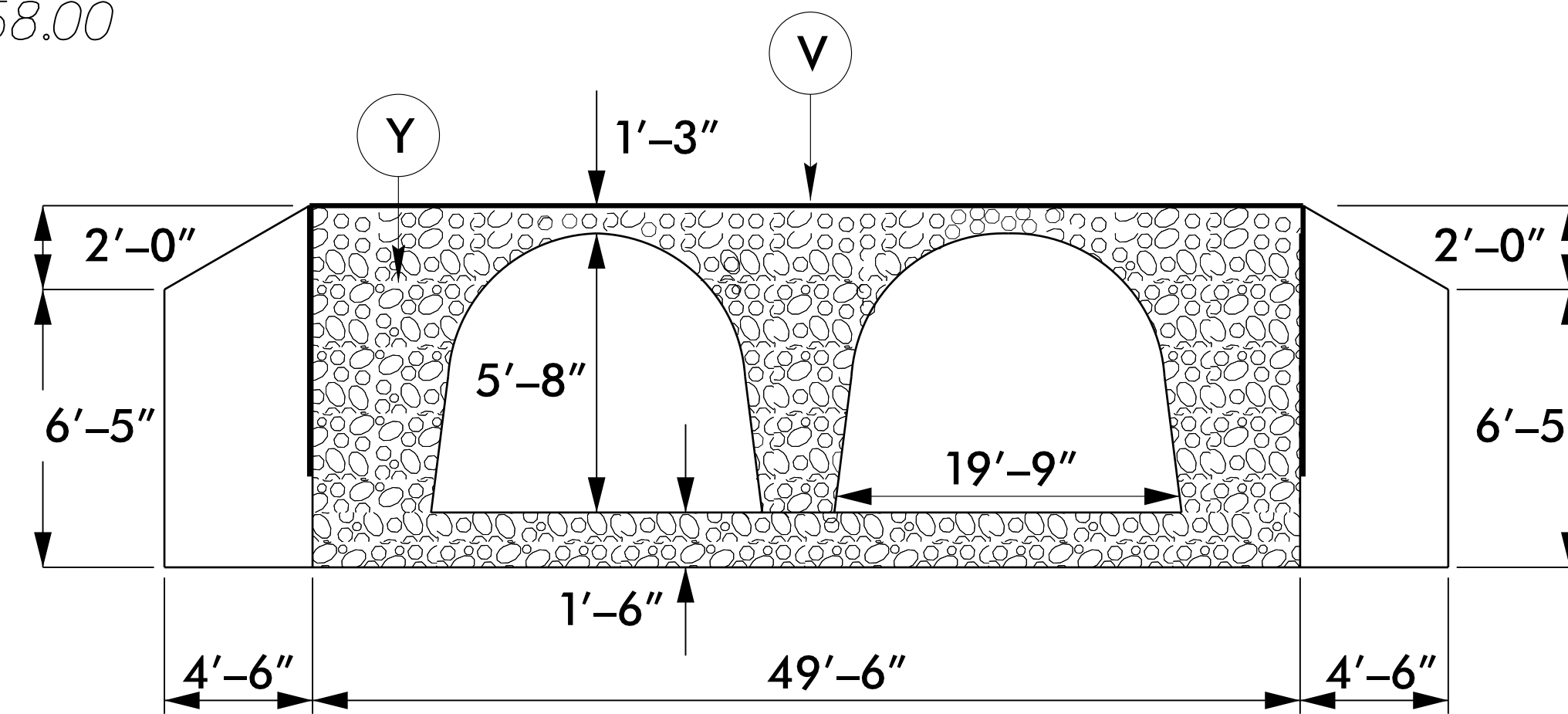


-EL- STATION 11+67.00 - 11+85.25  
 -EL- STATION 12+39.70 - 12+58.00



TYPICAL BOX CULVERT SECTION #4 (NTS)

-EL- STATION 11+85.25 - 12+39.70



END VIEW BOX CULVERT (NTS)

6/2/99

C:\MAR 2013\1218\17BP\ALFORT\Beaufort\_35\Beaufort\_35\_psh2.dgn

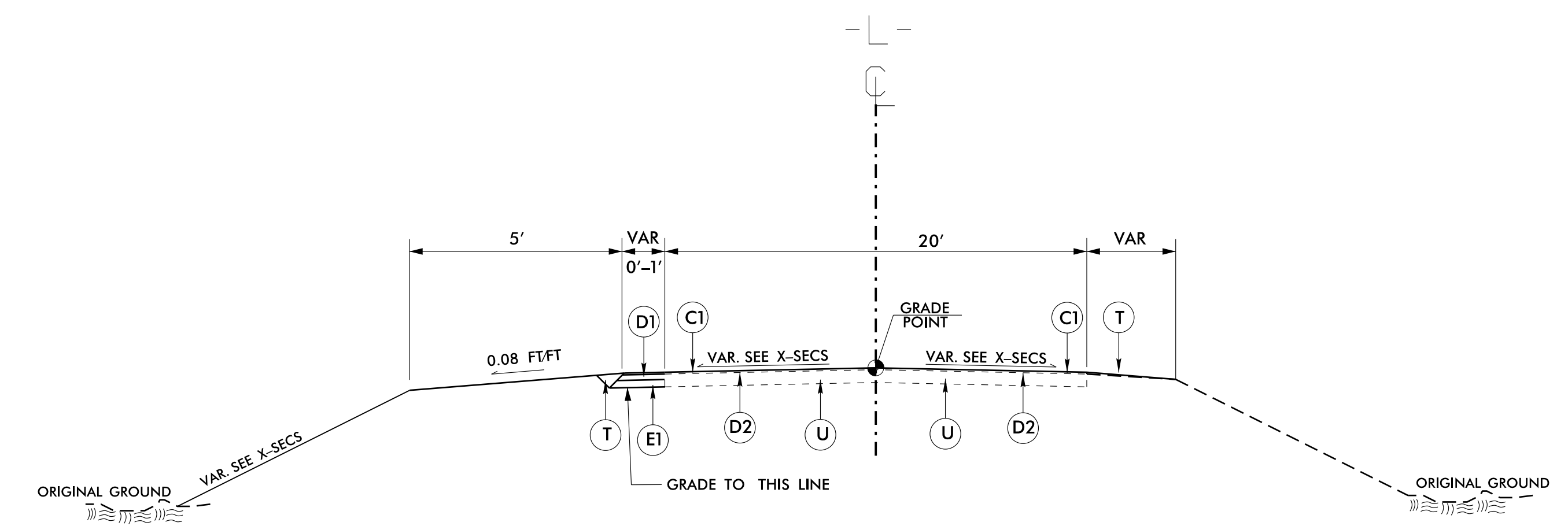


PROJECT REFERENCE NO.	SHEET NO.
17BP.2.R.15	2
ROADWAY DESIGN ENGINEER THIS DOCUMENT ORIGINALLY ISSUED AND SEALED BY DWAYNE H. ALLIGOOD 16710 02/07/13	PAVEMENT DESIGN ENGINEER THIS DOCUMENT ORIGINALLY ISSUED AND SEALED BY DWAYNE H. ALLIGOOD 16710 02/07/13

NOTE: REVISED END VIEW BOX CULVERT TO INCLUDE HEADWALL AND DIMENSIONS.

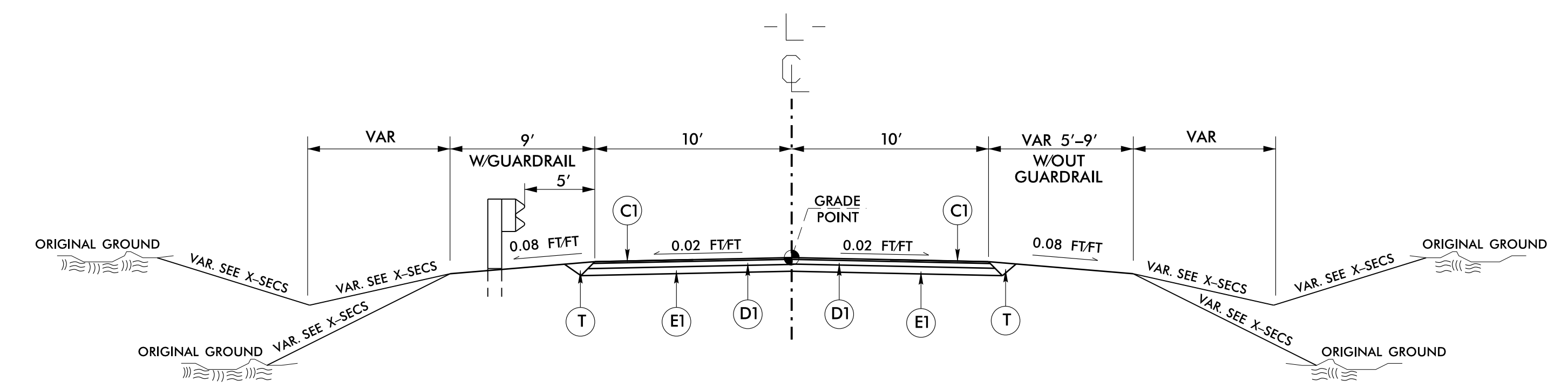
C1	PROP. APPROX. 1½" ASPHALT CONCRETE SURFACE COURSE, TYPE SF9.5A, AT AN AVERAGE RATE OF 168 LBS. PER SQ.YD.
D1	PROP. APPROX. 3" ASPHALT CONCRETE INTERMEDIATE COURSE, TYPE I19.0B, AT AN AVERAGE RATE OF 342 LBS. PER SQ. YD.
D2	PROP. VARIABLE DEPTH WEDGING ASPHALT CONCRETE INTERMEDIATE COURSE, TYPE I19.0B.
E1	PROP. APPROX. 5" ASPHALT CONCRETE BASE COURSE, TYPE B25.0B, AT AN AVERAGE RATE OF 570 LBS. PER SQ. YD.
J	APPROX. 12" AGGREGATE BASE COURSE
T	EARTH MATERIAL.
U	EXISTING PAVEMENT.
V	FILTER FABRIC
Y	#57 WASHED STONE

NOTE: PAVEMENT EDGE SLOPES ARE 1:1 UNLESS SHOWN OTHERWISE.



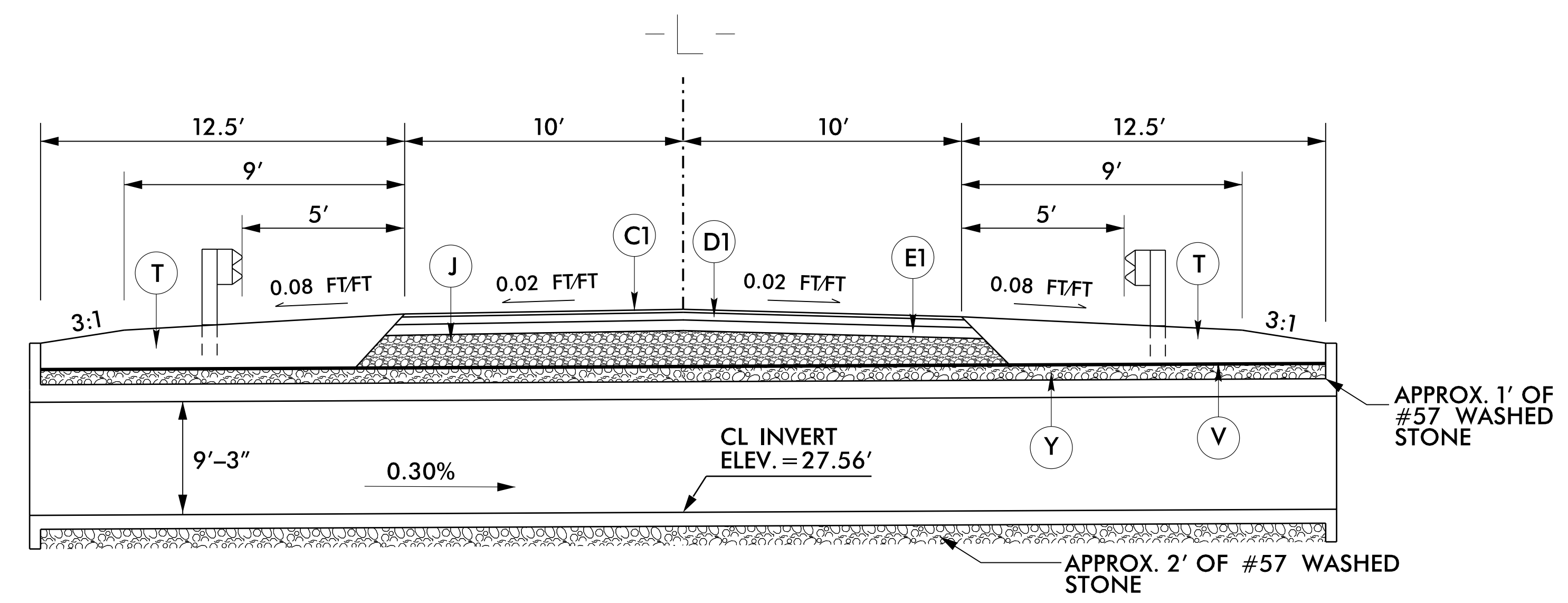
TYPICAL SECTION #1 (NTS)

-L- 10+00.00 - 11+00.00  
-L- 13+50.00 - 14+49.88



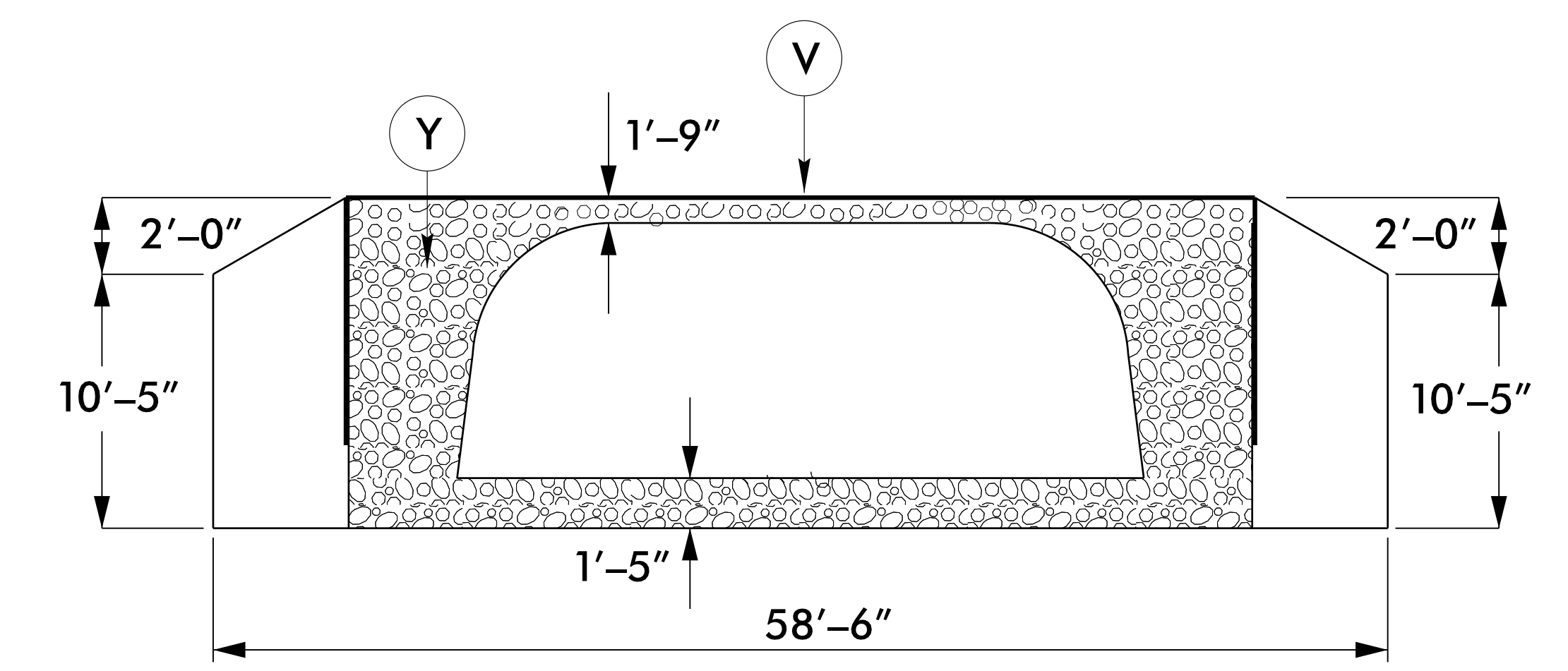
TYPICAL SECTION #2 (NTS)

-L- 11+00.00 - 12+08.46  
-L- 12+30.54 - 13+50.00



TYPICAL BOX CULVERT SECTION #3 (NTS)

-L- STATION 12+08.46 - 12+30.54



END VIEW BOX CULVERT (NTS)

6/2/99

C:\MSOFT\2013\06\24\FORT\Beaufort\_241\241.dde2.psh\_2.dgn